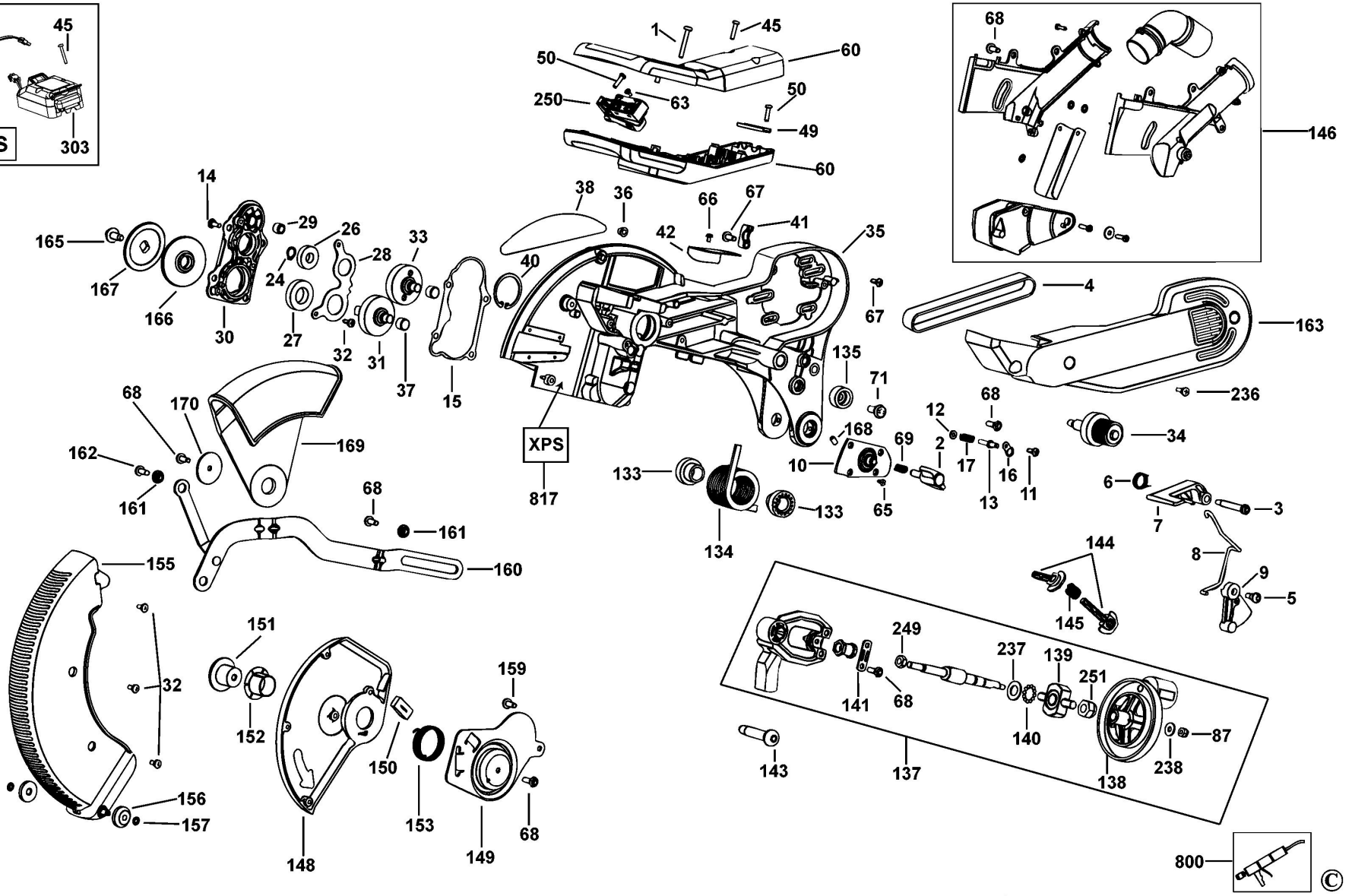
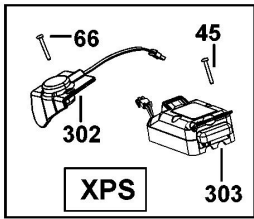
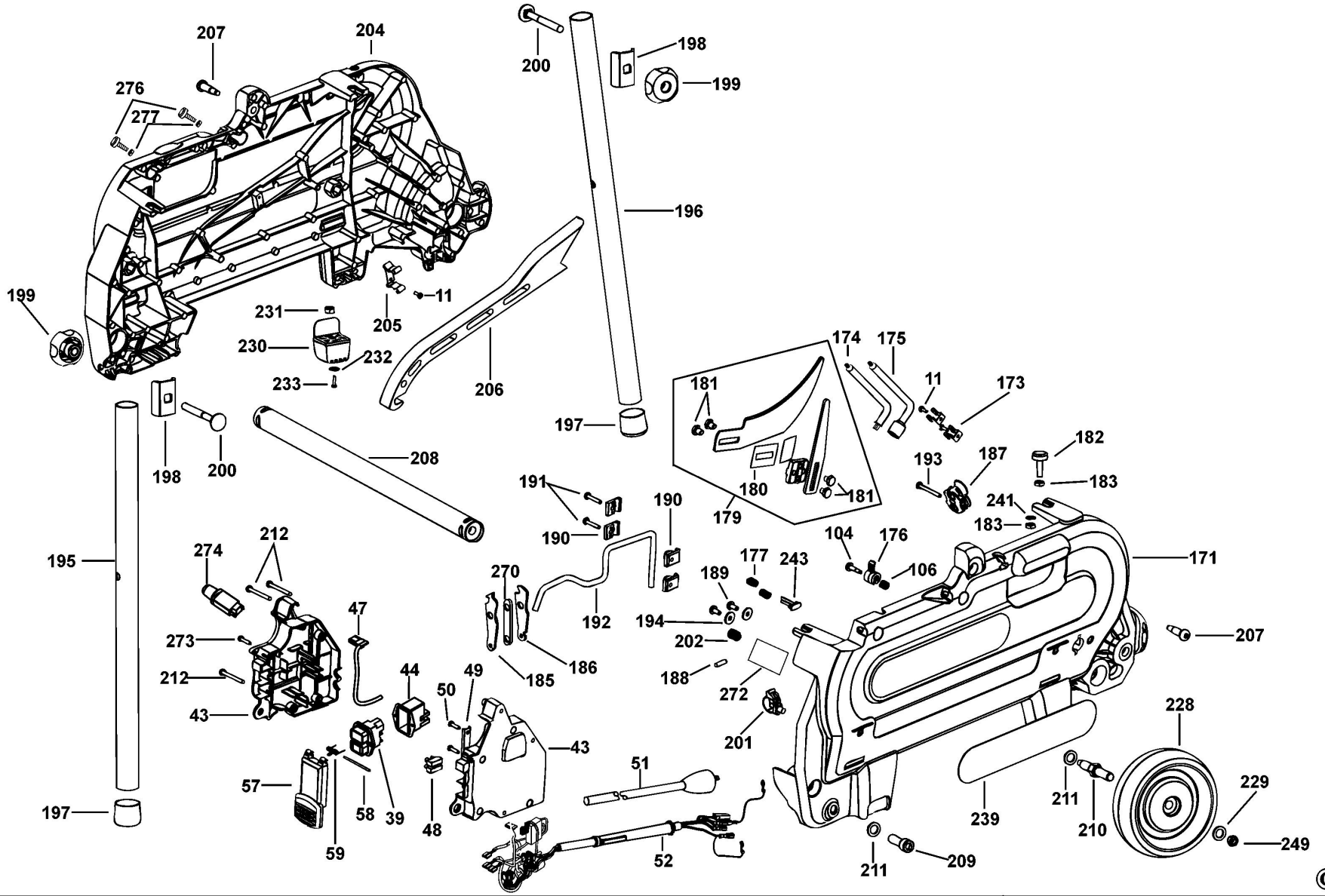
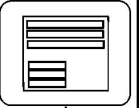


D27107XPS Arm COMBINATION SAW 1

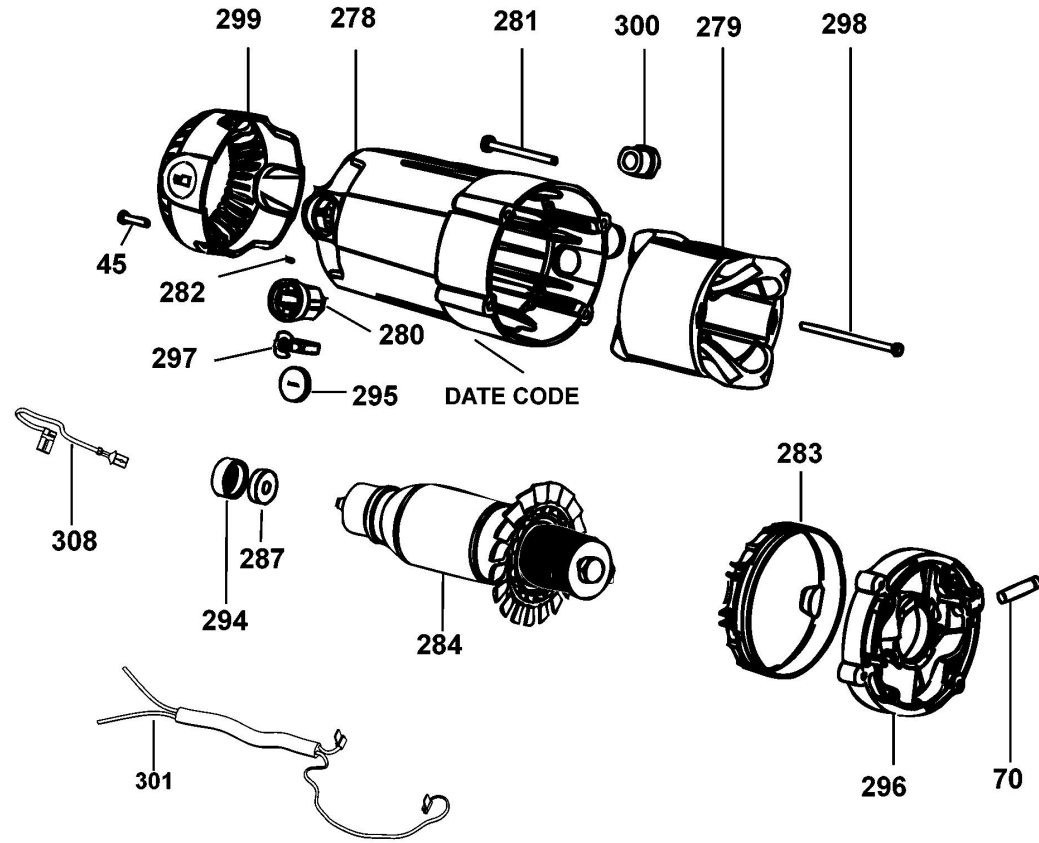


D27107XPS Table support COMBINATION SAW 1

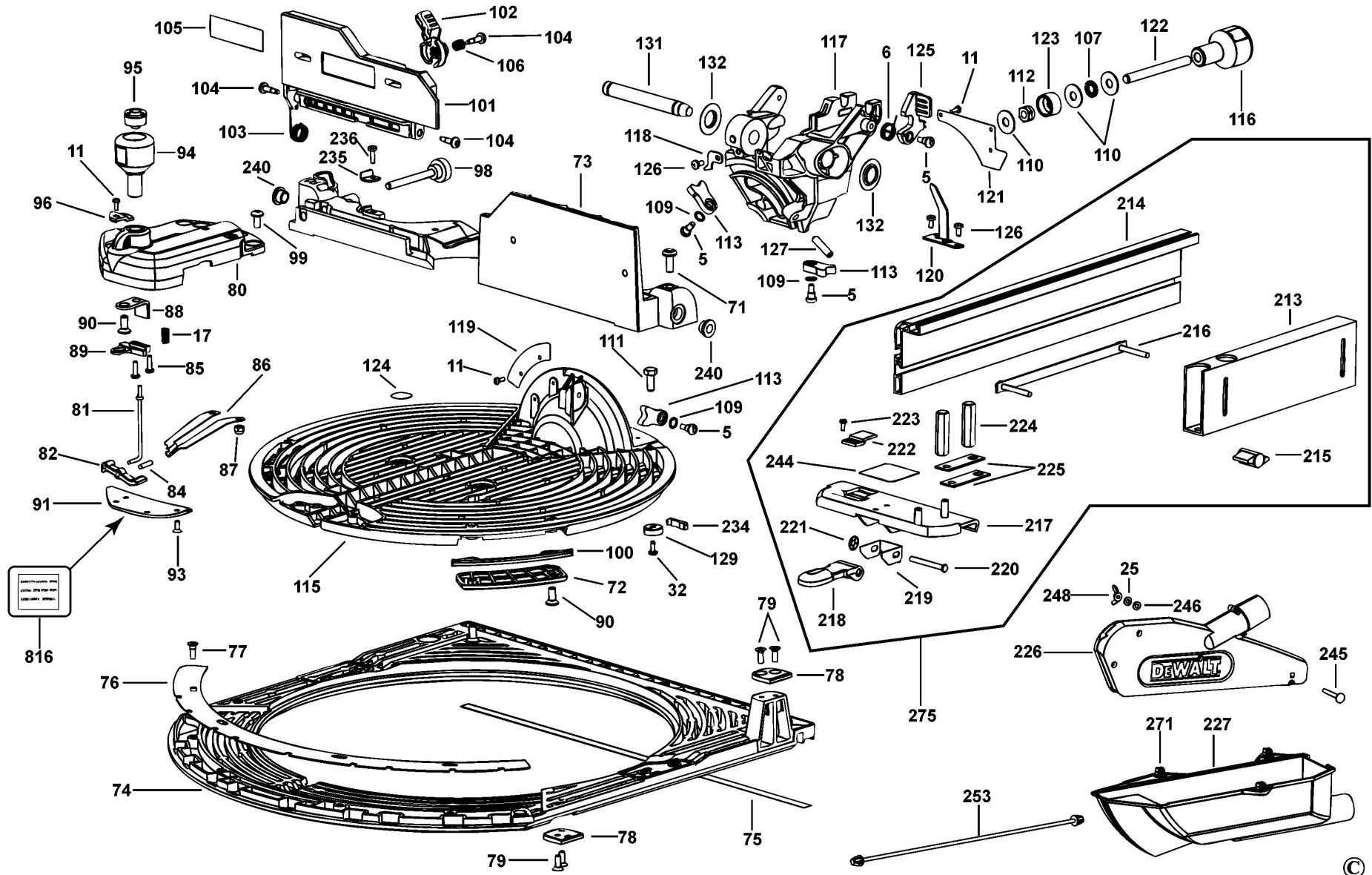




821



D27107XPS Table COMBINATION SAW 1



Parts List D27107XPS COMBINATION SAW 1

Item	Part Number	Qty	Part Description	General Description	Other Info	Repair Inst	Markets
1	98094-35	4	SCREW			Yes	QS
2	147107-06	1	KNOB			No	QS
3	152852-00	1	BOLT			No	QS
4	N453995	1	BELT			No	QS
5	153639-00	4	SCREW			No	QS
6	398472-00	2	SPRING TORSION			No	QS
7	605603-00	1	LEVER			No	QS
8	606278-00	1	LINKAGE SA			No	QS
9	606279-00	1	PLATE			No	QS
10	607221-00	1	PLATE			No	QS
11	330045-05	11	SCREW			No	QS
12	618480-00	1	WASHER FELT			No	QS
13	153561-00	1	LOCKING PIN			No	QS
14	385915-01	4	SCREW			Yes	QS
15	391315-00	1	GASKET			No	QS
16	393071-00	1	PLATE			No	QS
17	868082-00	2	SPRING			No	QS
24	860079-03	1	CIRCLIP			No	QS
25	860073-03	1	WASHER M8			No	QS
26	605040-59	1	BEARING			No	QS
27	330003-66	1	BEARING,BALL			No	QS
28	627904-00	1	BEARING PLATE			No	QS
29	391616-00	1	BEARING NEEDLE			No	QS
30	621759-00	1	GEARCASE COVER		+ 29	No	QS
31	869219-06	1	SPINDLE & GEAR SA			No	QS
32	330045-49	7	SCREW			Yes	QS
33	869219-07	1	SPINDLE & GEAR SA			No	QS
34	N105443	1	PULLEY SA			No	QS
35	N139375	1	ARM			No	QS
36	148608-00	2	INSERT			No	QS
37	386780-00	2	BEARING			No	QS
38	621329-00	1	IDENTITY LABEL			No	QS

Parts List D27107XPS COMBINATION SAW 1

Item	Part Number	Qty	Part Description	General Description	Other Info	Repair Inst	Markets
39	637691-00	1	SWITCH			Yes	QS
40	616726-00	1	RETAINER			No	QS
41	612350-00	1	CORD CLAMP			No	QS
42	613781-00	1	COVER			No	QS
43	605786-01	1	HOUSING SWITCH			No	QS
44	638634-00	1	BOOT			No	QS
45	330019-13	5	SCREW	M4X19 T20		Yes	QS
47	652121-00	1	CONNECTING WIRE			No	QS
48	326057-00	1	TERMINAL BLOCK			No	QS
49	N380405	2	INSERT			No	QS
50	330013-04	1	SCREW			No	QS
51	330120-00	1	CORDSET (EURO)			No	QS
52	639912-01	1	SET OF LEAD WIRES			No	QS
57	N377629	1	SWITCH COVER			No	QS
58	607854-00	1	PIN			No	QS
59	613782-01	1	SPRING TORSION			No	QS
60	607855-00	1	HANDLE SA			No	QS
63	384127-01	4	SCREW			Yes	QS
65	860091-04	4	SCREW			No	QS
66	860094-03	2	SCREW			No	QS
67	330045-15	7	SCREW			Yes	QS
68	330045-23	7	SCREW			Yes	QS
69	606014-00	1	SPRING			No	QS
70	394034-00	1	SCREW			No	QS
71	330045-32	5	SCREW			Yes	QS
72	621647-00	3	PLATE			No	QS
73	N162216	1	FENCE			No	QS
74	869233-00	1	TABLE			No	QS
75	614822-00	1	SCALE			No	QS
76	398999-00	1	DETENT			Yes	QS
77	615876-00	4	SCREW			Yes	QS
78	607103-00	2	PLATE			No	QS

Parts List D27107XPS COMBINATION SAW 1

Item	Part Number	Qty	Part Description	General Description	Other Info	Repair Inst	Markets
79	98104-16	4	SCREW			Yes	QS
80	N162168	1	NOSE			No	QS
81	605799-00	1	ROD			No	QS
82	399162-00	1	ACTUATOR			No	QS
84	399009-00	1	PIN			No	QS
85	860094-00	2	SCREW.TEMP			Yes	QS
86	606898-00	1	DETENT			No	QS
87	860092-02	3	NUT			Yes	QS
88	606900-00	1	PLATE			No	QS
89	606896-00	1	PAD			No	QS
90	617561-00	7	SCREW			Yes	QS
91	606897-00	1	COVER			No	QS
93	860205-01	4	SCREW			Yes	QS
94	399004-00	1	KNOB			Yes	QS
95	605785-00	1	BUTTON			Yes	QS
96	611991-00	1	POINTER			Yes	QS
98	606198-00	1	KNOB			No	QS
99	N409486	4	SCREW			Yes	QS
100	607129-00	3	PAD			No	QS
101	N190890	1	BACK FENCE			Yes	QS
102	610251-00	1	KNOB			No	QS
103	610250-00	1	SPRING			No	QS
104	N399933	5	SCREW			Yes	QS
105	610710-00	1	WARNING LABEL			No	QS
106	941586-00	3	SPRING			No	QS
107	153451-00	1	BEARING THRUST			No	QS
109	153655-00	3	WASHER			No	QS
110	153781-00	3	WASHER			No	QS
111	153797-03	2	SCREW			Yes	QS
112	330021-10	1	NUT			Yes	QS
113	391347-00	3	PAWL			No	QS
115	869233-02	1	ROTARY TABLE		+ 122, 124	Yes	QS

Parts List D27107XPS COMBINATION SAW 1

Item	Part Number	Qty	Part Description	General Description	Other Info	Repair Inst	Markets
116	399004-01	1	KNOB			No	QS
117	605653-00	1	TRUNNION			Yes	QS
118	606152-00	1	POINTER			Yes	QS
119	618660-00	1	BEVEL SCALE			No	QS
120	606192-00	1	POINTER			No	QS
121	606193-00	1	BEVEL SCALE			No	QS
122	606359-00	1	STUD			Yes	QS
123	606362-00	1	SPACER			No	QS
124	610707-00	2	WARNING LABEL			No	QS
125	613709-00	1	LATCH			No	QS
126	860094-06	6	SCREW			No	QS
127	153576-03	1	SCREW			Yes	QS
129	615589-00	1	ADJUSTER			Yes	QS
131	615777-00	1	PIVOT SHAFT			No	QS
132	148296-00	1	WASHER			No	QS
133	146732-00	2	SPACER			No	QS
134	619571-00	1	SPRING			No	QS
135	146753-00	1	BUSHING			No	QS
137	609837-00	1	ADJUSTER HEIGHT			Yes	QS
138	606689-00	1	CRANK			No	QS
139	607754-00	1	CARRIER			No	QS
140	604107-00	14	BALL STEEL			No	QS
141	609840-00	1	CLAMP			No	QS
143	610254-00	1	BOLT			Yes	QS
144	614072-00	2	PIN			No	QS
145	606688-00	1	SPRING			No	QS
146	N166053	1	DUST PORT			No	QS
148	615459-00	1	PLATE			No	QS
149	N041976	1	BACKPLATE			No	QS
150	609514-00	1	BUMPER			No	QS
151	146750-03	1	RETAINING PLATE			No	QS
152	609314-00	1	SLEEVE			No	QS

Parts List D27107XPS COMBINATION SAW 1

Item	Part Number	Qty	Part Description	General Description	Other Info	Repair Inst	Markets
153	609496-00	1	SPRING TORSION			No	QS
155	N298999	1	GUARD			No	QS
156	146774-00	2	ROLLER			No	QS
157	604728-00	2	LOCKING RING			No	QS
159	394589-01	2	SCREW			No	QS
160	N225776	1	LEVER SA			No	QS
161	146740-02	3	SLEEVE			No	QS
162	605590-00	1	SCREW			Yes	QS
163	610556-01	1	BELT COVER			No	QS
165	145344-01	1	BLADE BOLT			Yes	QS
166	616319-00	1	WASHER INNER CLAMP			No	QS
167	604765-00	1	CLAMP OUTER			No	QS
168	150075-00	2	SCREW			Yes	QS
169	605593-00	1	GUARD			No	QS
170	607536-00	1	WASHER			No	QS
171	656421-00	1	FSO KIT			No	QS
173	391358-01	1	HOLDER			No	QS
174	385567-03	1	KEY			No	QS
175	608563-01	1	WRENCH SPECIAL			No	QS
176	615993-00	2	RETAINER			No	QS
177	946866-00	2	SPRING			No	QS
179	N181532	1	GUARD KIT			Yes	QS
180	609497-00	1	SHIM			Yes	QS
181	607181-00	4	SCREW			Yes	QS
182	616634-00	4	BUMPER			Yes	QS
183	860083-15	4	NUT			No	QS
185	606233-00	1	LOCK			Yes	QS
186	606232-00	1	LOCK			Yes	QS
187	605601-01	1	CORD CLAMP			No	QS
188	607132-00	1	PIN			No	QS
189	330045-55	2	SCREW			No	QS
190	153379-00	4	BEARING BLOCK			No	QS

Parts List D27107XPS COMBINATION SAW 1

Item	Part Number	Qty	Part Description	General Description	Other Info	Repair Inst	Markets
191	610574-00	1	SCREW			No	QS
192	611094-00	1	ROD			No	QS
193	861090-00	1	SCREW			Yes	QS
194	860073-14	3	WASHER			No	QS
195	613233-00	2	FRONT LEG			No	QS
196	655033-00	2	REAR LEG			No	QS
197	861073-00	4	FOOT			No	QS
198	N013623	4	CLAMP			No	QS
199	618362-00	4	KNOB			No	QS
200	98131-90	4	CARRIAGE BOLT			No	QS
201	861091-00	3	CABLE CLAMP			Yes	QS
202	860112-11	1	SPRING			No	QS
204	656421-01	1	FSO KIT			No	QS
205	615994-00	1	CLIP			No	QS
206	860610-01	1	PUSHROD			No	QS
207	616592-00	2	BOLT			Yes	QS
208	604537-00	2	TUBE			No	QS
209	942447-00	2	SCREW			Yes	QS
210	611623-00	2	AXLE STUB			Yes	QS
211	98197-08	4	WASHER			No	QS
212	330045-50	3	SCREW			No	QS
213	605789-00	1	FENCE			No	QS
214	386616-00	1	FENCE			No	QS
215	147107-00	2	KNOB			No	QS
216	611712-00	1	PLATE			No	QS
217	611921-00	1	BRACKET			No	QS
218	605794-00	1	LEVER LOCK			No	QS
219	605796-00	1	BRACKET			No	QS
220	605795-00	1	CLEVIS PIN			No	QS
221	392948-00	1	WASHER CLAMP			No	QS
222	605798-00	1	POINTER			No	QS
223	330045-05	1	SCREW			No	QS

Parts List D27107XPS COMBINATION SAW 1

Item	Part Number	Qty	Part Description	General Description	Other Info	Repair Inst	Markets
224	612284-00	2	NUT			No	QS
225	605790-00	2	WASHER			No	QS
226	N181532	1	GUARD KIT			No	QS
227	N060425	1	GUARD			No	QS
228	612441-00	2	WHEEL			No	QS
229	941602-00	2	WASHER			No	QS
230	N219072	4	FOOT			No	QS
231	860083-14	4	NUT			No	QS
232	860073-03	4	WASHER M8			No	QS
233	860085-20	4	SCREW			No	QS
234	621653-00	1	SHOE			No	QS
235	610252-00	1	CLAMP			No	QS
236	330045-14	4	SCREW			No	QS
237	623499-00	1	WASHER			No	QS
238	860075-00	1	WASHER			No	QS
239	617108-00	1	IDENTITY LABEL			No	QS
240	607182-00	2	BUSHING			No	QS
241	860078-02	4	WASHER			No	QS
243	620327-00	1	SPRING CLIP			No	QS
244	624373-00	1	IDENTITY LABEL			No	QS
245	931997-00	1	SCREW			No	QS
246	720959-00	1	WASHER			No	QS
248	720929-00	1	WING NUT			No	QS
248	720929-00	1	WING NUT			No	QS
249	860092-05	3	NUT			No	QS
250	394375-02P	1	SWITCH			No	QS
251	330021-08	1	NUT			Yes	QS
253	N060144	1	CORD			No	QS
270	626334-00	1	SPACER			No	QS
271	868303-00	3	FASTENER			No	QS
272	626191-00	1	LABEL			No	QS
273	330019-13	4	SCREW	M4X19 T20		No	QS

Parts List D27107XPS COMBINATION SAW 1

Item	Part Number	Qty	Part Description	General Description	Other Info	Repair Inst	Markets
274	N395535	1	OVERLOAD PROTECTOR			Yes	QS
275	611713-01	1	FENCE			No	QS
276	949701-05	4	SCREW			No	QS
277	860083-15	4	NUT			No	QS
278	N025823	1	FIELD CASE			No	QS
279	N614820	1	FIELD	230V		No	QS
280	622440-00	1	BRUSH HOLDER			No	QS
281	98094-55	4	SCREW	M5 X 55mm T25		No	QS
282	330022-16	2	SCREW			No	QS
283	391375-00	1	BAFFLE			No	QS
284	N158403	1	ARMATURE 230V			No	QS
284	N158403	1	ARMATURE 230V			No	QS
287	N110359	1	BEARING			No	QS
294	650234-00	1	SLEEVE INSULATING			No	QS
295	622441-00	2	BRUSH CAP			No	QS
296	391282-00	1	MOUNTING BRACKET			No	QS
297	N013883	2	BRUSH			No	QS
298	330019-34	2	SCREW			No	QS
299	660498-00	1	END CAP			No	QS
300	605155-00	1	BUSHING			No	QS
301	N025819	1	LEADWIRE			No	QS
302	N620869	1	LED & POWER SUPPLY KIT			No	QS
303	N620869	1	LED & POWER SUPPLY KIT			No	QS
308	N025820	2	BRUSH LEAD			No	QS
400	N158402	1	MOTOR SA 230V			No	QS
800	5140061-28	1	GREASE			No	QS
816	N045702	1	WARNING LABEL			No	QS
817	N174417	1	WARNING LABEL		XPS	No	QS
821	N139012	1	RATING PLATE			No	QS